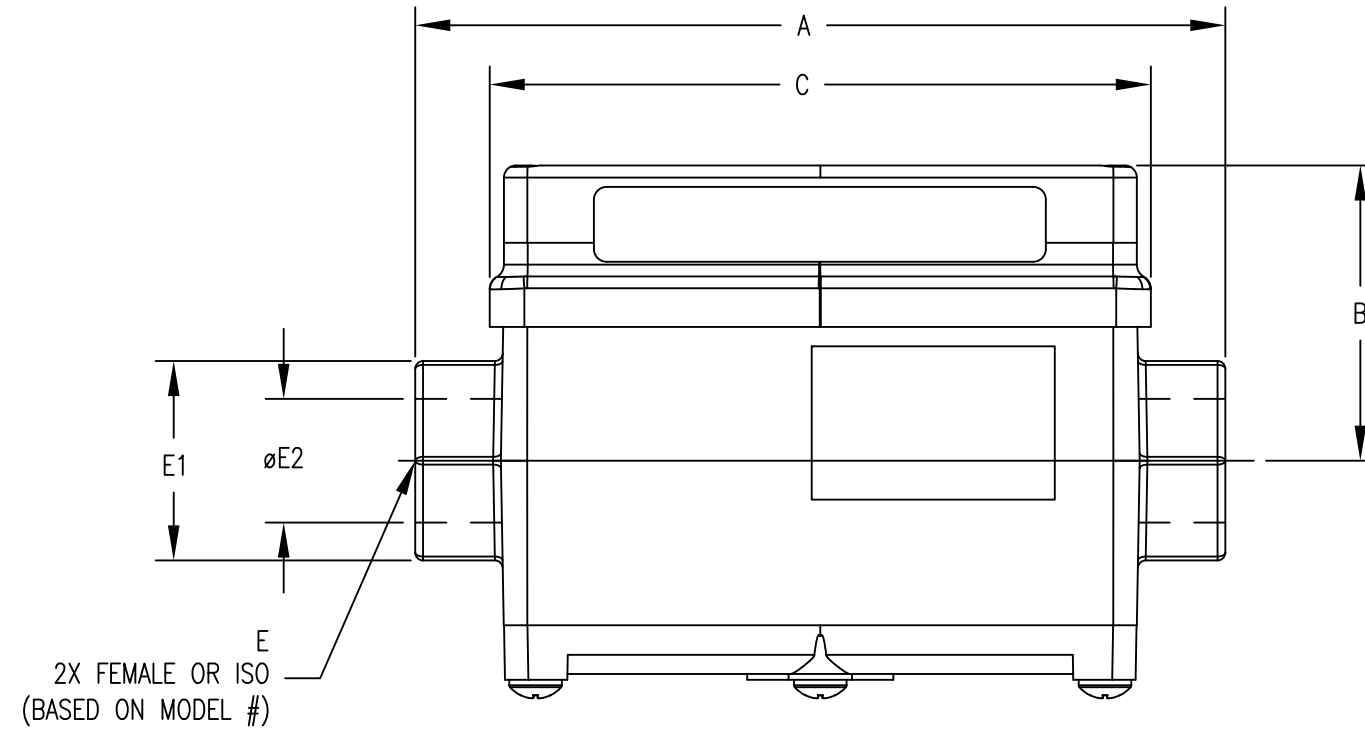
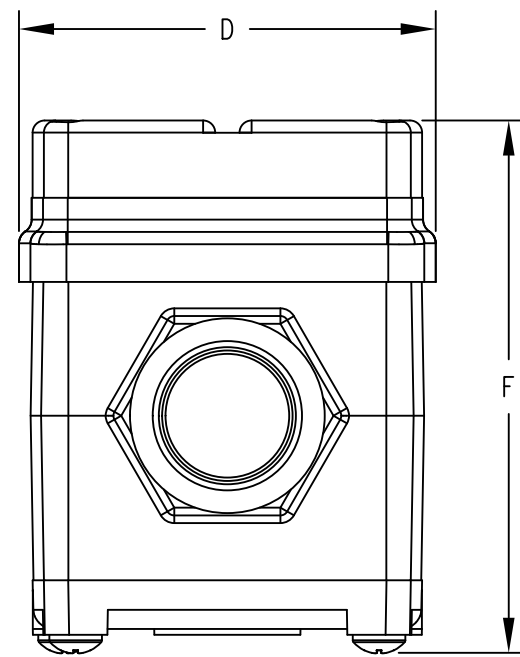
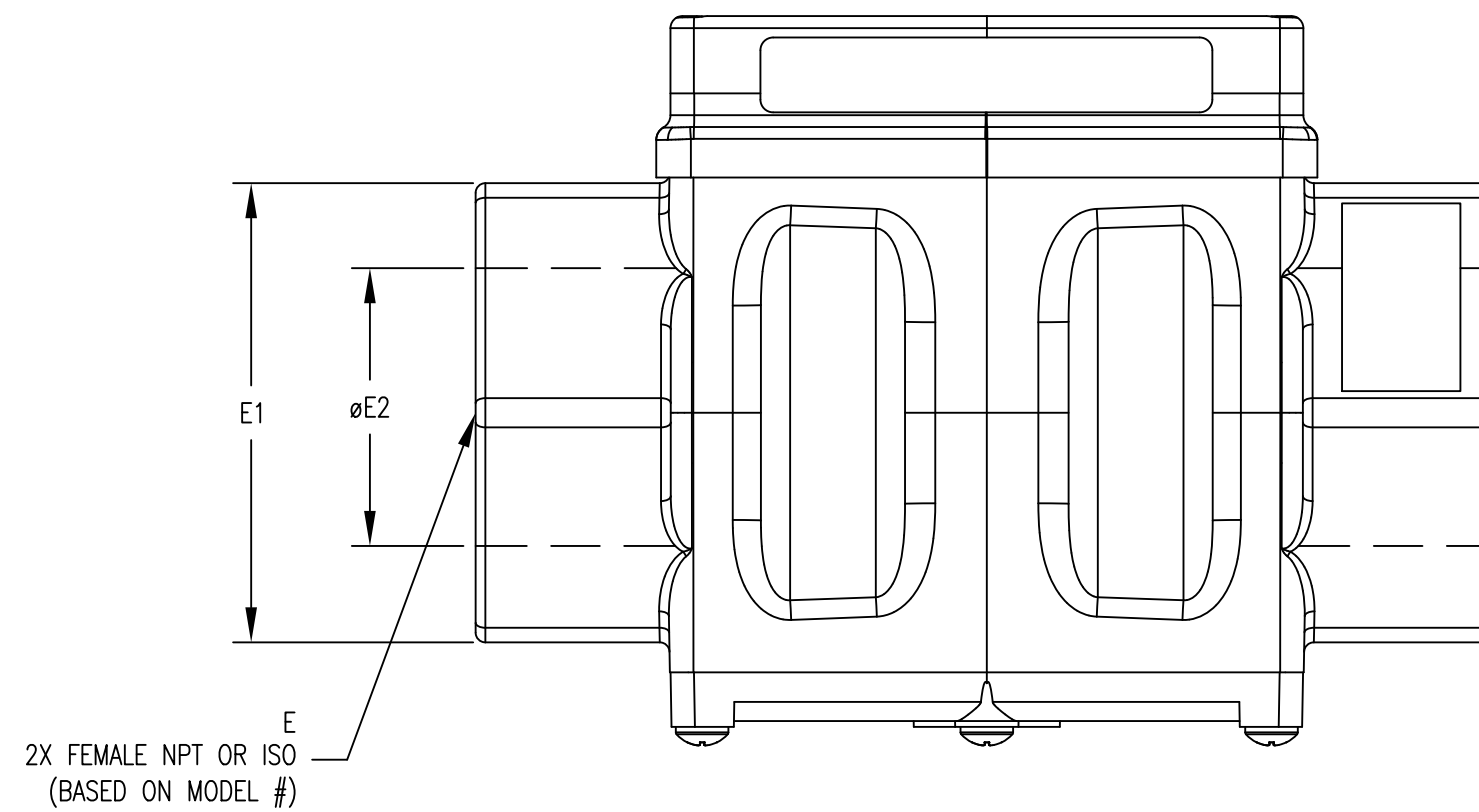
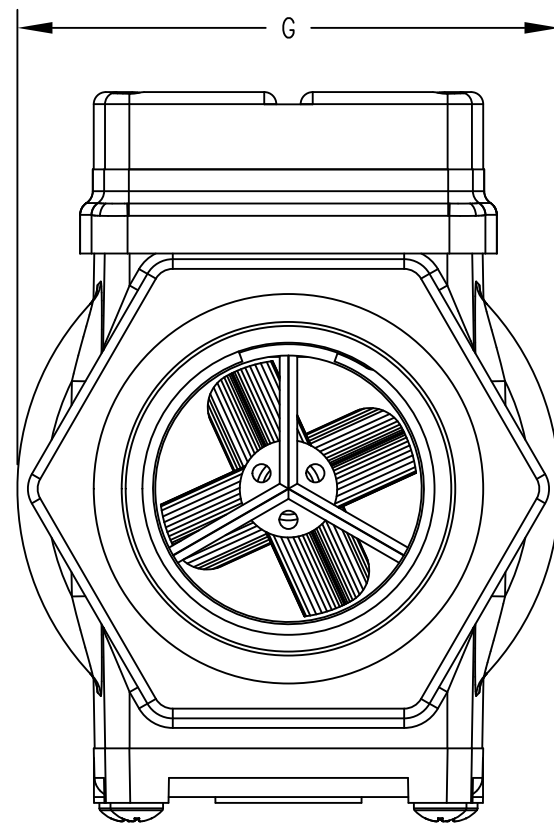


TTMS-1RX-X
TTMS-2RX-X
TTMS-3RX-X



TTMS-4RX-X
TTMS-5RX-X

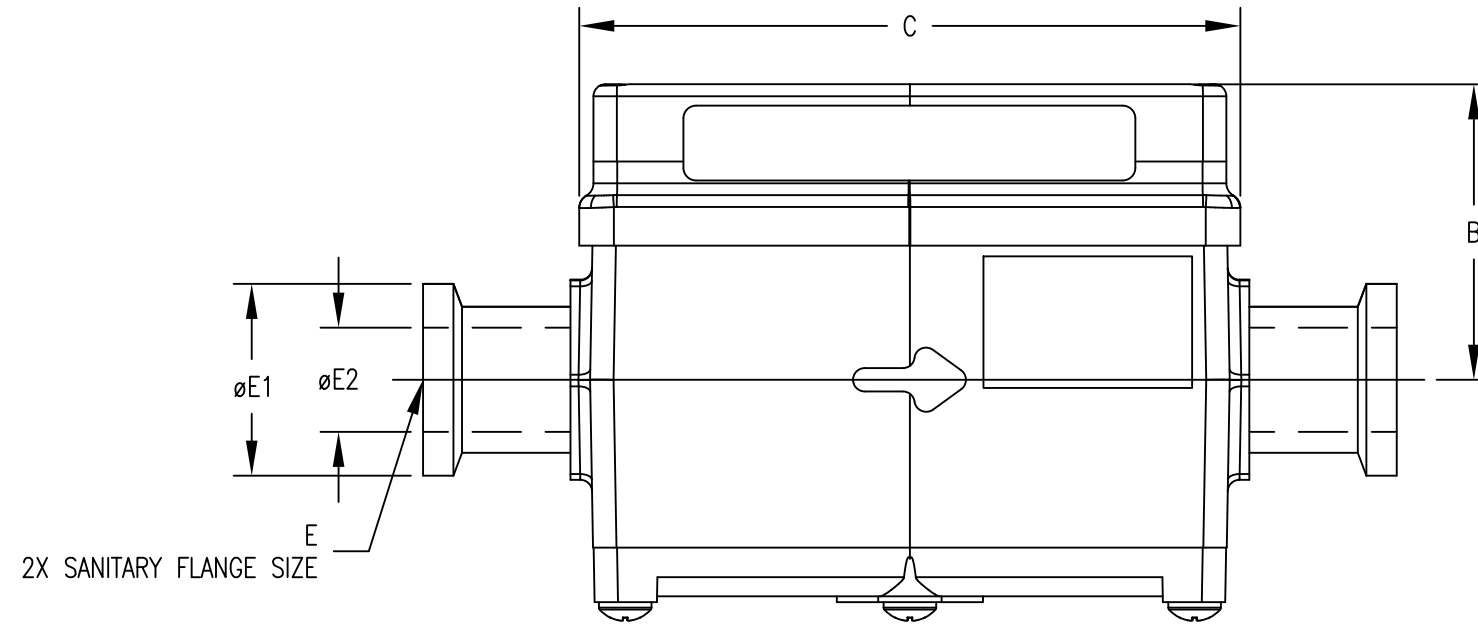
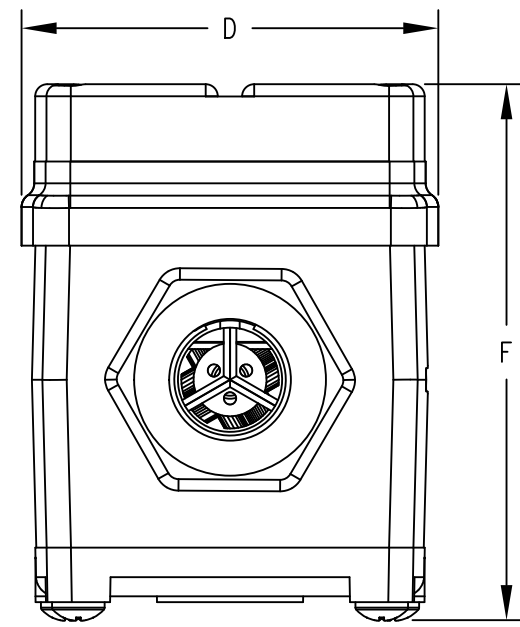


MODEL	DIMENSIONS							ISO SIZES		WEIGHT (LB)	FLOW RANGE (GPM)
	A	B	C	D	E	F	G	E1	E2		
TTMS-1RX-X	4 ⁵ / ₃₂ [105.66]	1 ³¹ / ₆₄ [37.59]	3 ⁷ / ₁₆ [87.38]	2 ¹¹ / ₆₄ [55.12]	1/2"	2 ⁴⁵ / ₆₄ [68.58]	2 ¹¹ / ₆₄ [55.12]	1 ¹ / ₃₂ [26.01]	3 ⁵ / ₆₄ [13.72]	1.8	1-10
TTMS-2RX-X	4 ¹ / ₄ [107.95]	1 ¹⁹ / ₃₂ [40.39]			3/4"	2 ²⁹ / ₃₂ [73.91]		1 ¹⁷ / ₆₄ [32.00]	4 ³ / ₆₄ [17.15]	2.0	2-20
TTMS-3RX-X	4 ¹ / ₂ [114.30]	1 ⁵¹ / ₆₄ [45.72]			1"	3 ¹³ / ₆₄ [81.28]		1 ³⁹ / ₆₄ [41.00]	7/8 [22.23]	2.4	5-50
TTMS-4RX-X	5 ¹ / ₄ [133.35]	2 [50.80]			1 1/2"	3 ⁴⁵ / ₆₄ [94.23]	2 ²⁷ / ₃₂ [72.14]	2 ²³ / ₆₄ [59.89]	1 ³ / ₈ [34.93]	4.0	10-100
TTMS-5RX-X	6 ¹ / ₄ [158.75]	2 ⁷ / ₃₂ [56.39]			2"	4 ³ / ₁₆ [106.43]	3 ³ / ₈ [85.85]	3 [76.15]	1 ³ / ₄ [44.45]	6.3	20-200

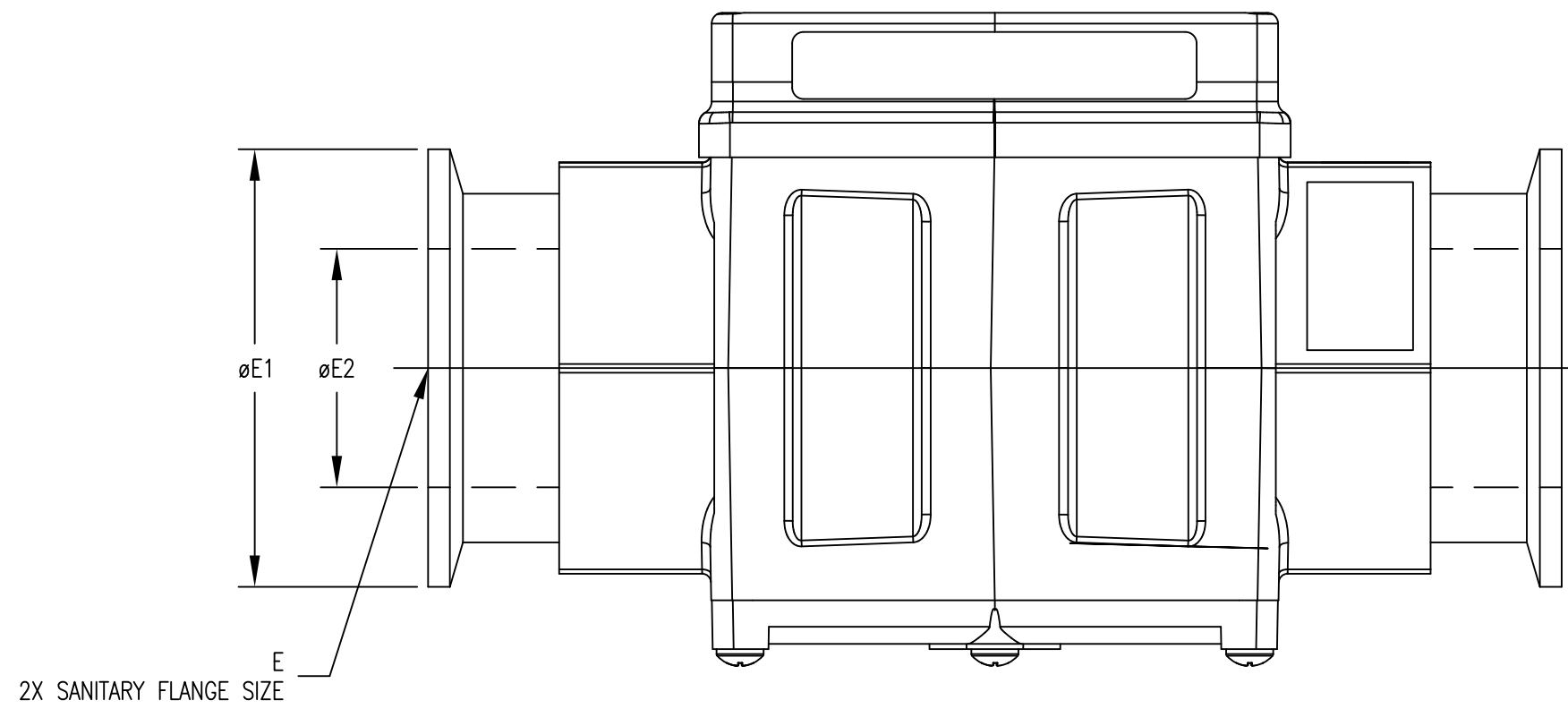
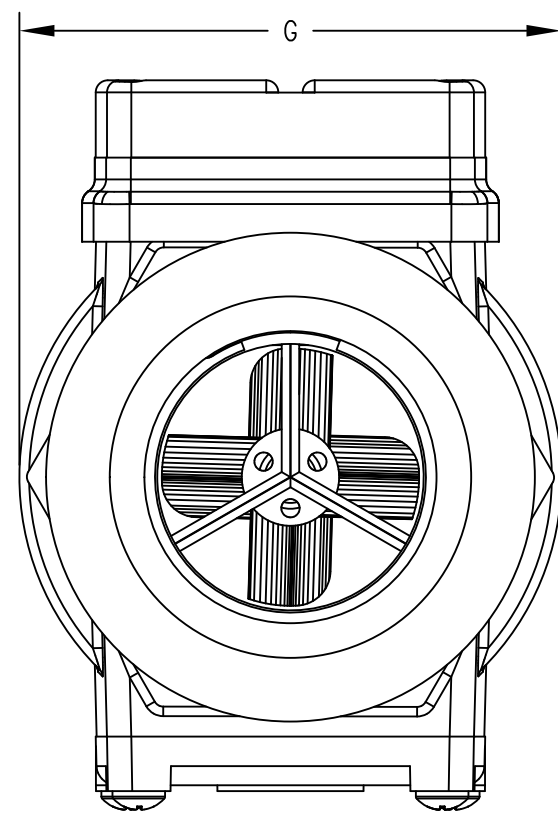
Ⓢ = CRITICAL DIMENSION
STANDARD TOLERANCES UNLESS NOTED:
ALL DECIMAL DIMENSIONS ± .005
ALL ANGLES ± 1°

		DATE 7-24-14	NAME	MATERIAL
		DWN BY CM	ARTWORK SERIES TTMS NPT AND ISO MODELS (FOR REFERENCE ONLY)	FINISH
		CHKD HMA		DWYER INSTRUMENTS, INC. MICHIGAN CITY, INDIANA 46360 U.S.A.
		APPD DKG		
NO.	CHANGES	BY/DATE		
NOTICE: This drawing and the principles and elements of design embodied therein are the exclusive property of DWYER INSTRUMENTS, INC. and are not to be communicated, disclosed, reproduced or used except as previously authorized in writing by such corporation and must not be submitted to outside parties for examination without the written consent of said corporation.				FR. NO. R5-701321-00

TTMS-1RS-X
TTMS-2RS-X
TTMS-3RS-X



TTMS-4RS-X
TTMS-5RS-X



MODEL	DIMENSIONS							WEIGHT (LB)	FLOW RANGE (GPM)		
	A	B	C	D	E	E1	E2			F	G
TTMS-1RS-X	5 [127.00]	$3\frac{1}{64}$ [37.59]	$3\frac{7}{16}$ [87.38]	$2\frac{1}{64}$ [55.12]	3/4"	$\frac{63}{64}$ [25.02]	$\frac{35}{64}$ [13.72]	$2\frac{45}{64}$ [68.58]	$2\frac{11}{64}$ [55.12]	1.8	1-10
TTMS-2RS-X		$1\frac{19}{32}$ [40.39]			1"	$1\frac{63}{64}$ [50.29]	$\frac{43}{64}$ [17.15]	$2\frac{29}{32}$ [73.91]		2.0	2-20
TTMS-3RS-X	$5\frac{1}{2}$ [139.70]	$1\frac{51}{64}$ [45.72]			1-1/2"	$\frac{7}{8}$ [22.23]	$3\frac{13}{64}$ [81.28]	2.4	5-50		
TTMS-4RS-X	$6\frac{1}{2}$ [165.10]	2 [50.80]			2"	$1\frac{3}{8}$ [34.93]	$3\frac{45}{64}$ [94.23]	$2\frac{27}{32}$ [72.14]	4.0	10-100	
TTMS-5RS-X	7 [177.80]	$2\frac{7}{32}$ [56.39]			2-1/2"	$2\frac{33}{64}$ [63.75]	$1\frac{3}{4}$ [44.45]	$4\frac{3}{16}$ [106.43]	$3\frac{3}{8}$ [85.85]	6.3	20-200

© = CRITICAL DIMENSION
STANDARD TOLERANCES UNLESS NOTED:
ALL DECIMAL DIMENSIONS ± .005
ALL ANGLES ± 1°

DATE 7-24-14	NAME ARTWORK SERIES TTMS SANITARY FITTING MODELS	MATERIAL
DWN BY CM		FINISH
CHKD HMA	(FOR REFERENCE ONLY)	DWYER INSTRUMENTS, INC. MICHIGAN CITY, INDIANA 46360 U.S.A.
APPD DKG	ACAD2002	FR. NO. R5-701321-01
NO. CHANGES	BY/DATE	3

NOTICE: This drawing and the principles and elements of design embodied therein are the exclusive property of DWYER INSTRUMENTS, INC. and are not to be communicated, disclosed, reproduced or used except as previously authorized in writing by such corporation and must not be submitted to outside parties for examination without the written consent of said corporation.